

HAFCO

METALMASTER



Edition : 1.0
Date: (09/24)

Instruction Manual

HAND LEVER GUILLOTINE

HS-32

Order Code: (S1885)

MACHINE DETAILS

MACHINE	<input type="text" value="Hand Lever Guillotine"/>
MODEL NO.	<input type="text" value="HS-32"/>
SERIAL NO.	<input type="text"/>
DATE OF MANF.	<input type="text"/>

IMPORTED BY

AUSTRALIA



www.machineryhouse.com.au

NEW ZEALAND



www.machineryhouse.co.nz

NOTE:

This manual is for your reference. At the time of the compiling of this manual every effort to be exact with the instructions, specifications, drawings, and photographs of the machine was taken. Owing to the continuous improvement of the HAFCO METALMASTER machine, changes may be made at any time without obligation or notice.

SAFETY SYMBOLS

The purpose of safety symbols is to attract your attention to possible hazardous conditions

 **WARNING** *Indicates a potentially hazardous situation causing injury or death*

 **CAUTION** *Indicates an alert against unsafe practices.*

Note: Used to alert the user to useful information



NOTE:

In order to see the type and model of the machine, please see the specification plate. Usually found on the back of the machine. See example (Fig.1)

HAFCO METALMASTER	
PRODUCT SPECIFICATIONS	
Model: HS-32	
Capacity: 1.2mm	MFG Date:
Serial No:	<input type="text"/>
Imported by www.machineryhouse.com.au	Made in China www.machineryhouse.co.nz

FIG.1

1.1 SPECIFICATIONS

Order Code	S1885
MODEL	HS-32
Blade Length	810mm
Full Length Maximum Capacity - Mild Steel	1.2mm
Cut Length - with 1.2mm thickness	800mm
Nett Weight	55kg

1.2 USAGE

This machine is suitable for sheetmetal and steel plate. Do not exceed the recommended capacity.



WARNING

Always check the capacity of the machine. Exceeding the capacity of the machine may result in sudden breakage that ejects dangerous metal debris at the operator or bystanders

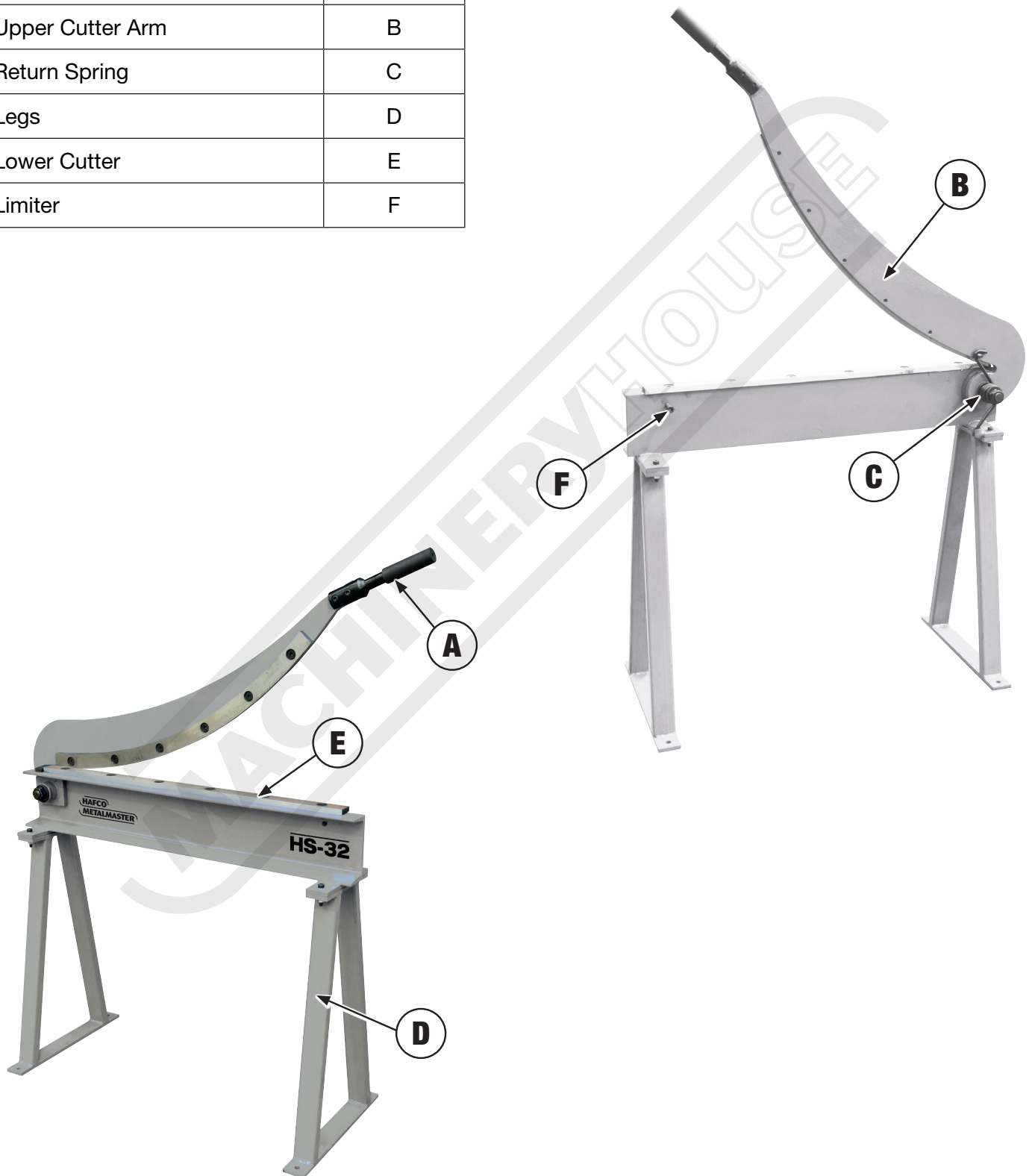
1.3 PACKING LIST

- 1 x Machine
- 1 x Sheet Metal Stand (not-assembled)
- 1 x Handle
- 1 x Instruction Manual

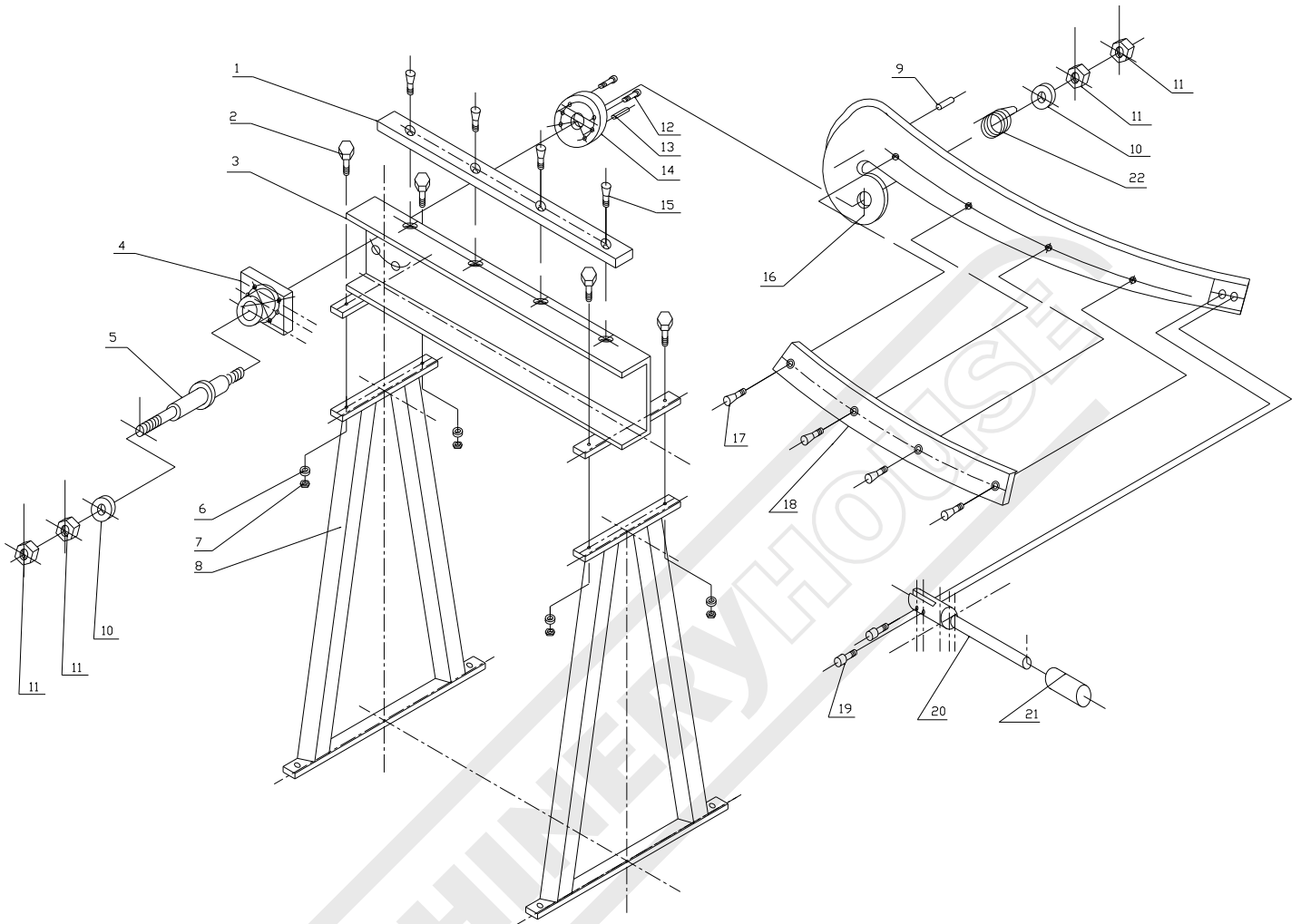


1.6 IDENTIFICATION

Description	G140
Upper Cutter Arm Handle	A
Upper Cutter Arm	B
Return Spring	C
Legs	D
Lower Cutter	E
Limiter	F



1.4 ASSEMBLY DRAWING



1.5 PARTS LIST

Part No	Description	Qty
1	Lower Blade	1
2	Bolts	4
3	Stand	1
4	Base	1
5	Shaft	1
6	Washers	4
7	Nuts	4
8	Legs	2
9	Spring	1
10	Washer	1
11	Nut	1

Part No	Description	Qty
12	Screws	4
13	Pins	2
14	Cover	1
15	Screws	4
16	Board	1
17	Screws	4
18	Upper Blade	1
19	Screws	2
20	Handle	1
21	Handle Sleeve	1

1.6 INSTALLATION

- 1.61. This machine should be mounted on hard ground or specific stand.
- 1.62. Please leave plenty room around the machine for your easy operating, in order to avoid injury.
- 1.63. At least 2 persons should take the device out of its packaging and prepare it for assembly.
- 1.64. Please remove the anti-rust grease on processing surface and some parts included with kerosene.

1.7 ASSEMBLY

- 1.71. Install the both Legs (#8) to the Stand (#3) using Bolts (#2) Washers (#6) and Nuts (#7).
- 1.72. Install the Handle (#20) with Screws (#19).

1.8 OPERATION

- 1.81. Please read this manual before operation and make yourself understand its structure and principle completely.
- 1.82. When shearing sheet steel or plate, wear gloves when handling material,
- 1.83. Before working, it is recommended to mark a shearing line on the workpiece.
- 1.84. Make sure the material is well supported, use 2 persons if needed.
- 1.85. Raise the upper cutter arm by the upper cutter arm handle with one hand.
- 1.86. While holding the workpiece, place it level and perpendicular to the cutters.
- 1.87. Start to cut your material with one hand pressing down on the upper cutter arm handle while supporting the workpiece with the other hand. The workpiece will be cut. **CAUTION!** Do not bring your hand closer than 20cm to the cutter blades when holding the workpiece.
- 1.88. Raise the upper cutter arm and remove the workpiece.
- 1.89. Put aside the cut part of the workpiece in a safe place. Keep order at the workplace.
CAUTION! Exercise care when handling the workpiece before and after cutting. The workpiece can have sharp edges.
CAUTION! During the cutting with the shear, workpiece recoil can occur. Exercise care and use safety gloves and safety glasses.
- 1.90. Lubricate the rotating parts of the machine everyday.

WARNING

General Machinery Safety Instructions

Machinery House
requires you to read this entire Manual before using this machine.

- 1. Read the entire Manual before starting machinery.** Machinery may cause serious injury if not correctly used.
- 2. Always use correct hearing protection when operating machinery.** Machinery noise may cause permanent hearing damage.
- 3. Machinery must never be used when tired, or under the influence of drugs or alcohol.** When running machinery you must be alert at all times.
- 4. Wear correct Clothing.** At all times remove all loose clothing, necklaces, rings, jewelry, etc. Long hair must be contained in a hair net. Non-slip protective footwear must be worn.
- 5. Always wear correct respirators around fumes or dust when operating machinery.** Machinery fumes & dust can cause serious respiratory illness. Dust extractors must be used where applicable.
- 6. Always wear correct safety glasses.** When machining you must use the correct eye protection to prevent injuring your eyes.
- 7. Keep work clean and make sure you have good lighting.** Cluttered and dark shadows may cause accidents.
- 8. Personnel must be properly trained or well supervised when operating machinery.** Make sure you have clear and safe understanding of the machine you are operating.
- 9. Keep children and visitors away.** Make sure children and visitors are at a safe distance for you work area.
- 10. Keep your workshop childproof.** Use padlocks, Turn off master power switches and remove start switch keys.
- 11. Never leave machine unattended.** Turn power off and wait till machine has come to a complete stop before leaving the machine unattended.
- 12. Make a safe working environment.** Do not use machine in a damp, wet area, or where flammable or noxious fumes may exist.
- 13. Disconnect main power before service machine.** Make sure power switch is in the off position before re-connecting.
- 14. Use correct amperage extension cords.** Undersized extension cords overheat and lose power. Replace extension cords if they become damaged.
- 15. Keep machine well maintained.** Keep blades sharp and clean for best and safest performance. Follow instructions when lubricating and changing accessories.
- 16. Keep machine well guarded.** Make sure guards on machine are in place and are all working correctly.
- 17. Do not overreach.** Keep proper footing and balance at all times.
- 18. Secure workpiece.** Use clamps or a vice to hold the workpiece where practical. Keeping the workpiece secure will free up your hand to operate the machine and will protect hand from injury.
- 19. Check machine over before operating.** Check machine for damaged parts, loose bolts, Keys and wrenches left on machine and any other conditions that may effect the machines operation. Repair and replace damaged parts.
- 20. Use recommended accessories.** Refer to instruction manual or ask correct service officer when using accessories. The use of improper accessories may cause the risk of injury.
- 21. Do not force machinery.** Work at the speed and capacity at which the machine or accessory was designed.
- 22. Use correct lifting practice.** Always use the correct lifting methods when using machinery. Incorrect lifting methods can cause serious injury.
- 23. Lock mobile bases.** Make sure any mobile bases are locked before using machine.
- 24. Allergic reactions.** Certain metal shavings and cutting fluids may cause an allergic reaction in people and animals, especially when cutting as the fumes can be inhaled. Make sure you know what type of metal and cutting fluid you will be exposed to and how to avoid contamination.
- 25. Call for help.** If at any time you experience difficulties, stop the machine and call you nearest branch service department for help.

WARNING

Manual Guillotine Safety Instructions

Machinery House
requires you to read this entire Manual before using this machine.

- 1. Maintenance.** Make sure all moving parts are locked down before any inspection, adjustment or maintenance is carried out. Place a block of timber between the blades to save blades from shearing hands or fingers.
- 2. Guillotine Condition.** Guillotine must be maintained for a proper working condition. Never operate a Guillotine that has damaged or worn parts. Scheduled routine maintenance should be performed on a scheduled basis.
- 3. Blade Condition.** Never operate a Guillotine with a damaged or badly worn blades. Replace if required.
- 4. Hand Hazard.** Keep hands and fingers clear from moving parts. Serious injury can occur if hand or finger tips come between blades.
- 5. Personal Protection.** Gloves are recommended when handling the workpieces.
- 6. Authorized and trained personnel.** The machine must be operated by authorized and trained personnel. The shear is designed to be operated by a single user. Using the machine with more than one operator is forbidden, except for certain maintenance situations.
- 7. Work area hazards.** Keep the area around the Guillotine clean from oil, tools, objects & chips. Pay attention to other persons in the area and know what is going on around the area to ensure unintended accidents.
- 8. Guards.** Do not operate Guillotine without the correct guards in place. Necessary guards protect you from injuries by the shear blades.
- 9. Material.** Material must NOT be hardened ceramic or glass-originated, non flat metals (at origin) e.g. rods, bars, tubes & pipes.
- 10. Blade gap adjustment.** Do NOT operate the machine without proper blade gap adjustment according to sheet thickness.
- 11. Warning Labels.** Take note of any warning labels on the machine and do not remove them.
- 12. Backgauge Area.** Do not access the backgauge area, while the machine is working.
- 13. Squaring arm.** Do not use side squaring arm and front support arms for intermediate storage of workpieces.
- 14. Operation.** During the shearing process, the workpiece may slide or move unexpectedly. Therefore, the material must be handled carefully.
- 15. Level machine.** Level the machine on a flat concrete surface by using a spirit level.
- 16. Hearing protection and hazards.** Always wear hearing protection as noise generated from machine and workpiece can cause permanent hearing loss over time.
- 17. Call for help.** If at any time you experience difficulties, stop the machine and call your nearest branch service department for help.

PLANT SAFETY PROGRAM

NEW MACHINERY HAZARD IDENTIFICATION, ASSESSMENT & CONTROL

Manual Guillotine

Developed in Co-operation Between A.W.I.S.A and Australia Chamber of Manufactures
 This program is based upon the Safe Work Australia, Code of Practice - Managing Risks of Plant in the Workplace (WHSA 2011 No10)

Item No.	Hazard Identification	Hazard Assessment	Risk Control Strategies <small>(Recommended for Purchase / Buyer / User)</small>
B	CRUSHING	LOW	Secure & support work material on table.
C	CUTTING, STABBING, PUNCTURING	MEDIUM	Wear gloves to prevent cuts from sharp material offcuts.
D	SHEARING	MEDIUM	Hands should be kept clear of moving parts and blades. Ensure front blade guard is fitted securely. Do not adjust or clean machine while operating.
F	STRIKING	MEDIUM	Wear safety glasses. Stand clear of falling offcuts. Ensure material hold downs are correctly adjusted. Ensure guards are secured properly.
O	OTHER HAZARDS, NOISE.	LOW	Wear hearing protection as required.



Plant Safety Program to be read in conjunction with manufactures instructions



www.machineryhouse.com.au



www.machineryhouse.co.nz

Authorised and signed by:
 Safety officer: 
 Manager: 

Revised Date: 12th March 2012



ENVIRONMENT PROTECTION

Recycle unwanted materials instead of disposing of them as waste. All tools, accessories and packaging should be sorted, taken to a recycling centre and disposed of in a manner which is compatible with the environment. When the product becomes completely unserviceable and requires disposal, drain any fluids (if applicable) into approved containers and dispose of the product and fluids according to local regulations.

Imported by

HARE & FORBES
MACHINERYHOUSE

Australian Distributor

Hare & Forbes
Machineryhouse
Sydney - Melbourne
Adelaide - Brisbane - Perth

Ph: 1300 202 200
www.machineryhouse.com.au

MACHINERYHOUSE

New Zealand Distributor

Machineryhouse
Auckland
Christchurch

Ph: 0800 142 326
www.machineryhouse.co.nz